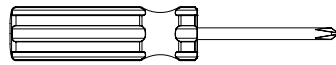


WIRE BASKET – HOME EDITION ASSEMBLY INSTRUCTIONS

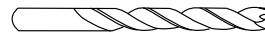
COMPONENT LIST

- Wire Basket (1)
- #10 × 1" Screw (4)

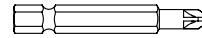
REQUIRED TOOLS



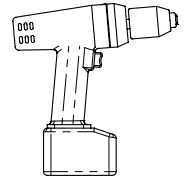
#2 Phillips Screwdriver



1/8" Drill Bit

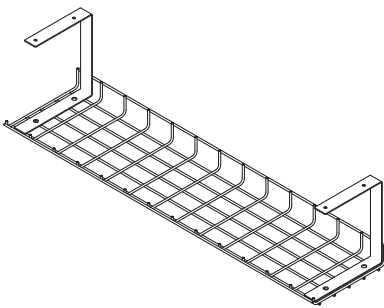


#2 Phillips Bit

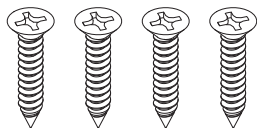


Cordless Drill/Driver
(Do not over-tighten screws.)

COMPONENTS

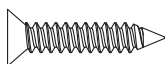


Wire Basket



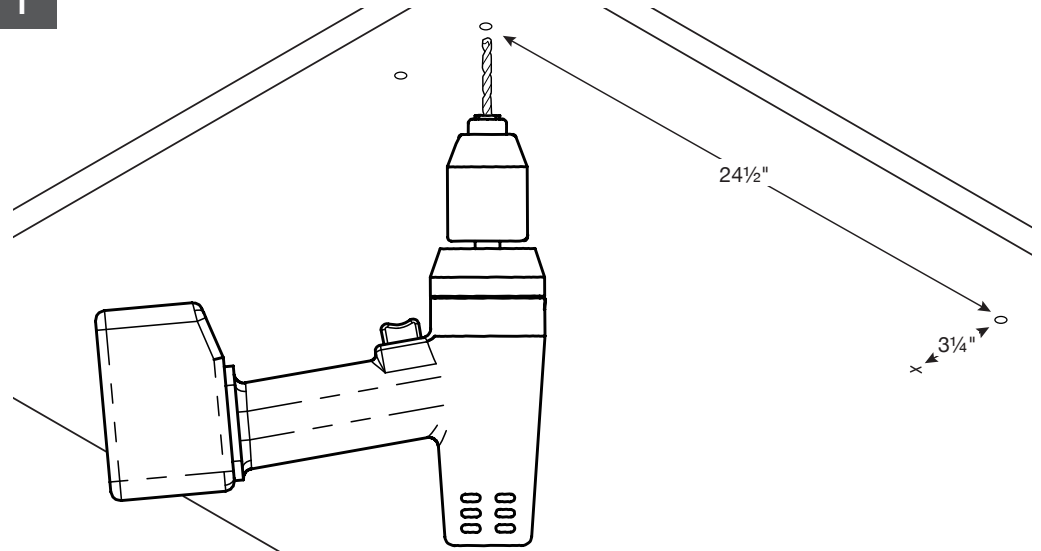
#10 × 1" Screws

1:1 SCALE



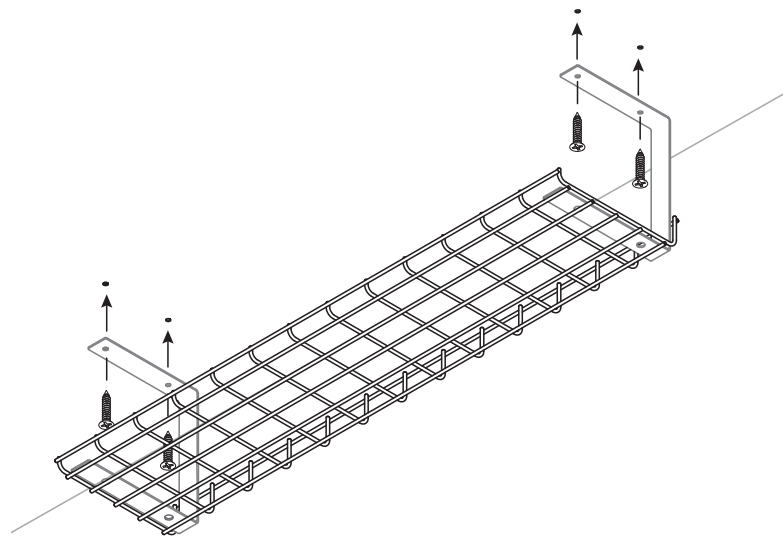
#10 × 1" Screw

1



1. Drill four pilot holes 1/2" deep using a 1/8" drill bit. Pilot holes should be 3 1/4" × 24 1/2" apart.

2



2. Align the wire basket with the pilot holes. Attach wire basket with the four #10 × 1" screws using a #2 Phillips screwdriver.